

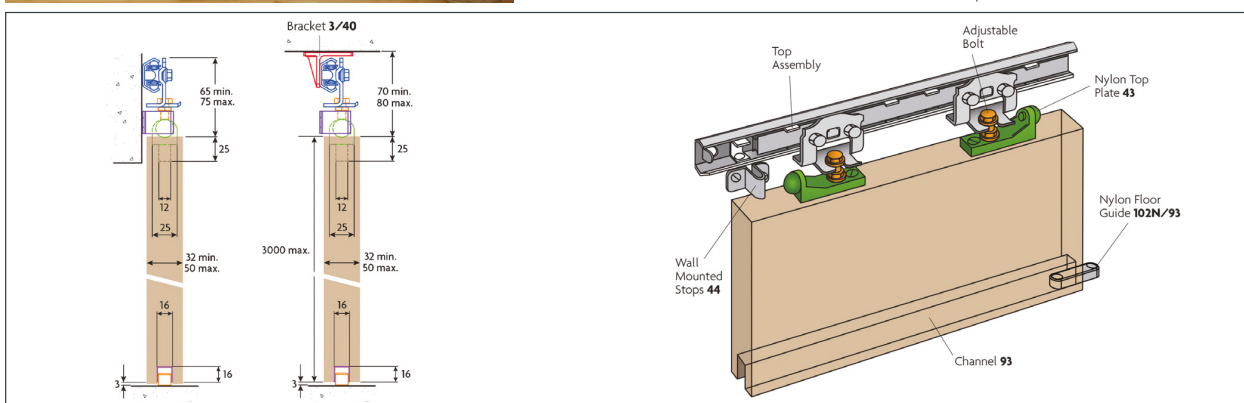
MARATHON

For sliding wooden and metal doors weighing up to 55kg and 90kg



When it comes to residential or commercial sliding doors and partitions, Marathon sliding door hardware is extremely reliable. Designed for wooden, wood framed and composite doors and featuring a one piece ball cage design, Marathon offers a smooth running system which can easily be adjusted. A self closing door kit can also be added to further complement the system (see accessories).

Available as the Marathon 55 for doors up to 55kg and Marathon 90 for doors up to 90kg, the system can handle door thickness's of between 32 - 50mm and door widths of up to 2500mm.



Product Information

| Product | Kit Order Code | No. of Doors | Track Length | Door Width Range | Door Thickness Range | Max. Door Weight |
|-------------|----------------|--------------|--------------|------------------|----------------------|------------------|
| Marathon 55 | J2 | 1 | 1219mm | 400 - 750mm | 32 - 50mm | 55kg |
| | J3 | 1 | 1473mm | 750 - 900mm | 32 - 50mm | 55kg |
| | J4 | 1 | 1702mm | 900 - 1050mm | 32 - 50mm | 55kg |
| | J5 | 1 | 1981mm | 1050 - 1200mm | 32 - 50mm | 55kg |
| | J6 | 1 | 2438mm | 1200 - 1500mm | 32 - 50mm | 55kg |
| Marathon 90 | S2 | 1 | 1219mm | 400 - 750mm | 32 - 50mm | 90kg |
| | S3 | 1 | 1473mm | 750 - 900mm | 32 - 50mm | 90kg |
| | S4 | 1 | 1702mm | 900 - 1050mm | 32 - 50mm | 90kg |
| | S5 | 1 | 1981mm | 1050 - 1200mm | 32 - 50mm | 90kg |
| | S6 | 1 | 2438mm | 1200 - 1500mm | 32 - 50mm | 90kg |
| | S7 | 1 | 3048mm | 1500 - 1800mm | 32 - 50mm | 90kg |
| | S8 | 1 | 3226mm | 1800 - 2000mm | 32 - 50mm | 90kg |
| | S9 | 1 | 4420mm | 2000 - 2500mm | 32 - 50mm | 90kg |

Kit Contents

| Component | Short Code |
|--------------------------|------------|
| Aluminium Track (x 1) | - |
| Bottom Channel (x 1) | - |
| Top Assembly (x 1) | - |
| Nylon Top Plates (x 2) | 43 |
| Wall Mounted Stops (x 2) | 44 |
| Nylon Floor Guide (x 1*) | 102N/93 |

*2 nylon floor guides are supplied in the J6, S6, S7, S8 & S9

Components can be specified separately for bespoke projects, contact P C Henderson for details.

Accessories



Flush Pull Set (385SA) also available in polished brass (385PB)



Flush Pull (144S) satin, also available in black (144B)



Flush Pull (400) SAA, also available in stainless steel (400SS)



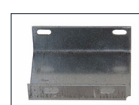
Self-Closing Door Kit (SCK1)



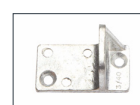
Easyclose Self Closer (SC100)



Galvanised Steel Fascia (40P/1850)



Fascia End Cap (EC40P)



Soffit Fixed Brackets x 5 (3/40)

View our full range of accessories on page 138

